

Energy meters

U2681 ... U2690

13278
3 / 7.96



Issued by GOSSEN-METRAWATT GMBH
D-90327 Nürnberg

Company address:
Thomas-Mann-Strasse 16-20
D-90471 Nürnberg

GOSSEN-METRAWATT GMBH assumes no reliability for damages or losses of any kind resulting from misprints or changes in this publication.

Neither does GOSSEN-METRAWATT GMBH assume reliability for damages and losses of any kind resulting from defective or modified units beyond the warranty.



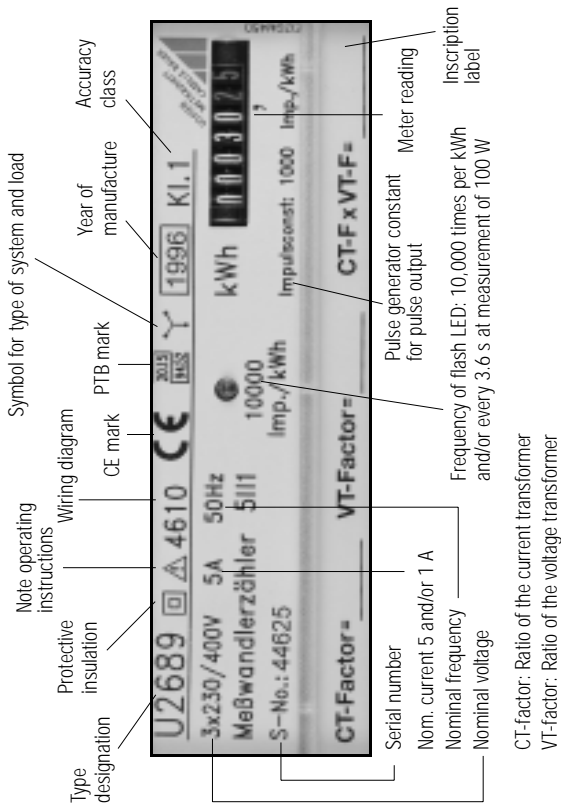
Attention!

Please observe the safety notes on page 3 before you connect and start the energy meter.

1 Safety notes

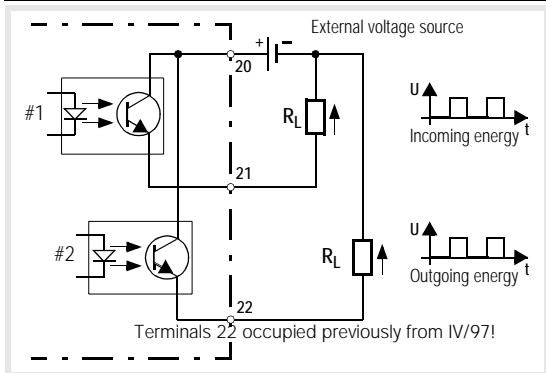
- Before starting the meter, note the nominal voltage, see nameplate.
- Verify that the connection leads are in good condition and that they are electrically dead while wiring the meter.
- When it must be assumed that safe operation is no longer possible, take the meter out of service (eventually disconnect the input voltage!). This can be assumed on principle when the meter shows obvious signs of damage. The meter must only be used again after troubleshooting, repair and a final test of calibration and dielectric strength in our factory or by one of our service facilities.
- When opening the cover, live parts may be exposed. Calibration, maintenance or repair with the meter open and live must only be performed by a qualified person who understands the danger involved. Capacitors in the meter may still be charged even though the meter has been disconnected from all voltage sources.
- After repair or maintenance and closing of the meter, the insulation must be tested with high voltage with the values listed in the technical data.

2 Meaning of the nameplate marking



3 Pulse output

Electrical values	
Pulse duration	100 ms + 50 %
Pulse interval	> 50 ms
U_{ext}	max. 40 V
Switching current	max. 27 mA



4 Power consumption

Voltage circuit	
Two-wire meter	< 5 VA
Three-wire and four-wire meter	< 3 VA per phase
Current circuit	
at I_{max}	< 1 VA
at $I_B = 1 \text{ A}$	< 0.02 VA
at $I_B = 5 \text{ A}$	< 0.5 VA

5 Mounting the terminal cover

The terminal cover is easy to remove or install provided it is open. For this purpose, position the terminal cover through 90° as compared to the closed condition. Following, lift the side parts one after the other off the studs of the fixed axles by their guide groove.

6 Inscription label

The technical data CT and VT factor as well as their product can be noted on the inscription label below the nameplate, see meaning of nameplate on page 4. For this purpose, the inscription label can be withdrawn from the corresponding slot on the right side of the case provided the terminal cover is open.

7 Sealing

7.1 Sealing the case

The case is sealed on its rear. For this purpose, two borings are provided above the boring plan. Any action in the case must only be performed by the GOSSEN-METRAWATT Service and authorized facilities.

7.2 Sealing the terminal cover

The terminal cover is sealed at the left or right of the terminal cover.